

Glue end-cap accessory Specification

AS-NNST224GH0-EC

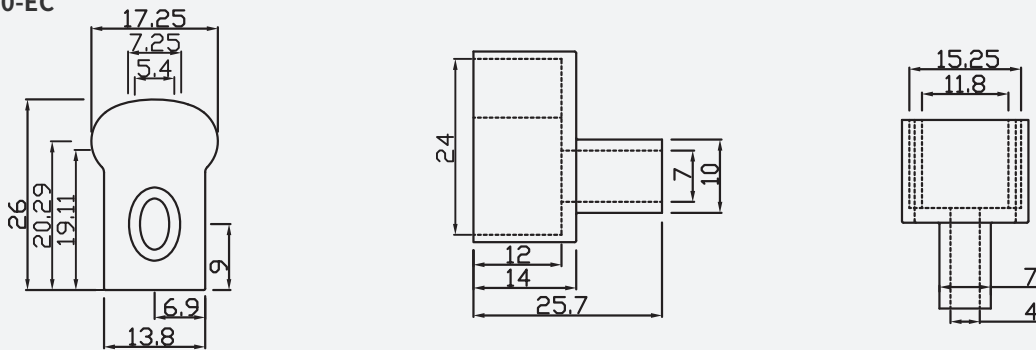


【Features】

- Material: silicone;
- Operating environment: indoor;
- Molding time: 1h;
- Protection class: IP65;
- Warranty: 3 years.

【Mechanical Parameter】

AS-NNS1224GH0-EC



【Specification information】

Describe	Accessories Picture	Order model	Outlet hole diameter (mm)	Quantity/ case (PCS)	Net weight (kg)	Per box net weight (kg)	Gross weight (kg)	Packages (mm)	Range of applications
Silicon End-Cap Set (End Cap and Plus)		AS-NNS1224GH0-EC	4	400	0.0035	1.4	1.7	250*250*150	suit to:AFS1224/AHS1224/NNS1224
Acid glue		AS-PG-0002	/	50	0.014	0.7	1.2	250*250*150	10ml/pcs

【Precautions】

- Cutting neon strip and plugging should be done in a dry environment.
- Please use professional cutting tools when cutting neon strip.
- Please use the right amount of glue, otherwise it will affect the appearance and lighting effect.
- After finishing the gluing, it needs to be left for 1-2 hours to ensure the glue is solidified.